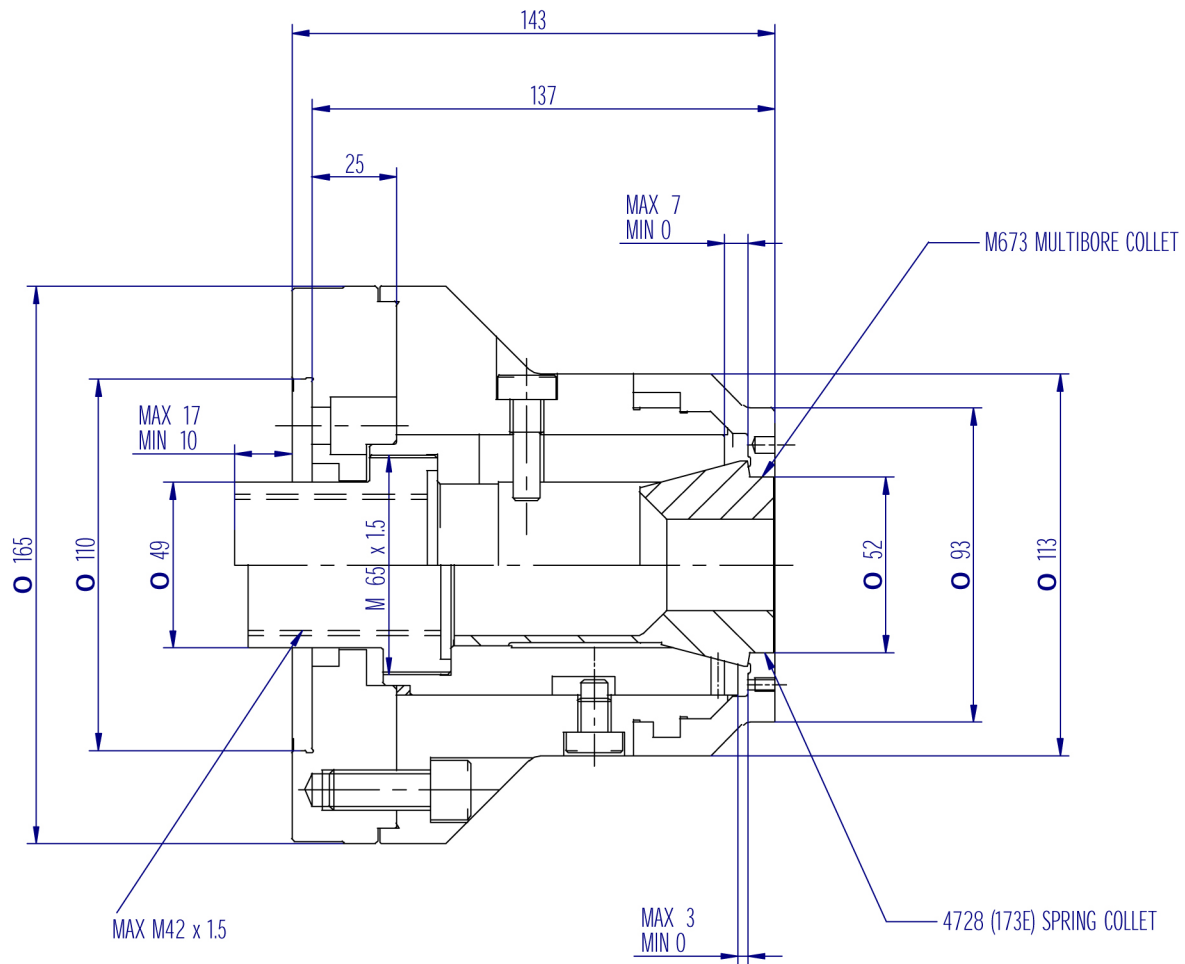
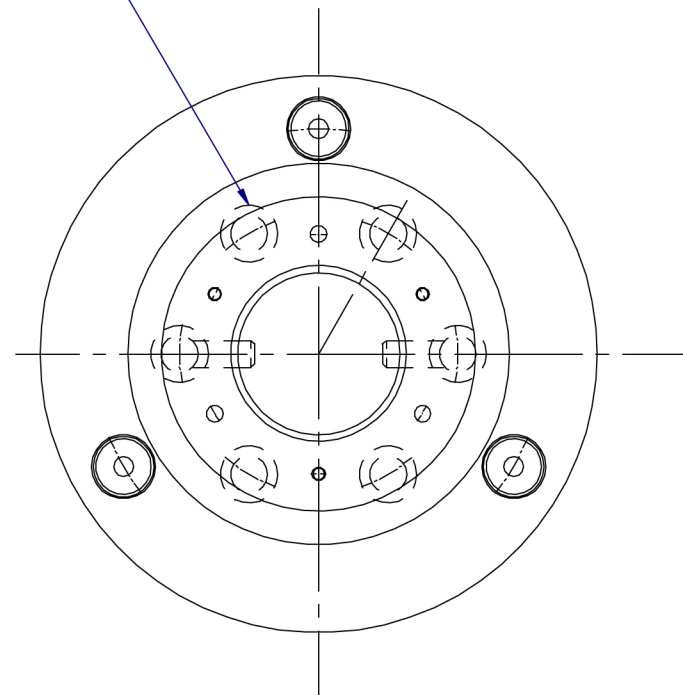


ISSUE	DATE



6 MOUNTING BOLT HOLES
TO SUIT M10 S.H.CAP SC.
EQUI-SPACED ON $\varnothing 82.6$ P.C.



KITAGAWA EUROPE LTD.

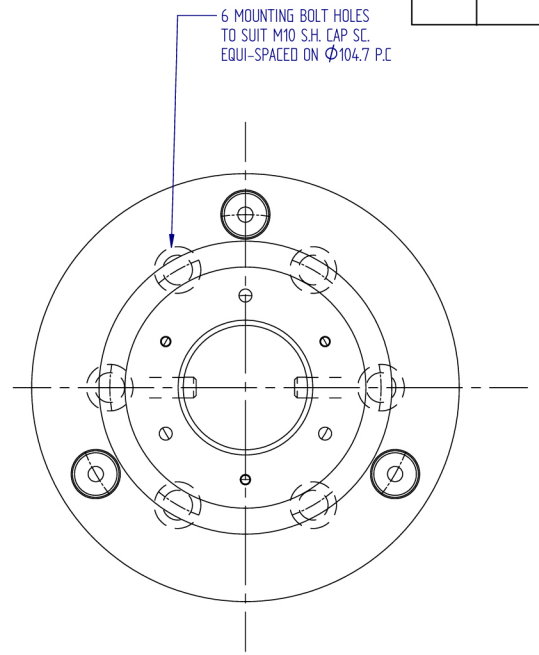
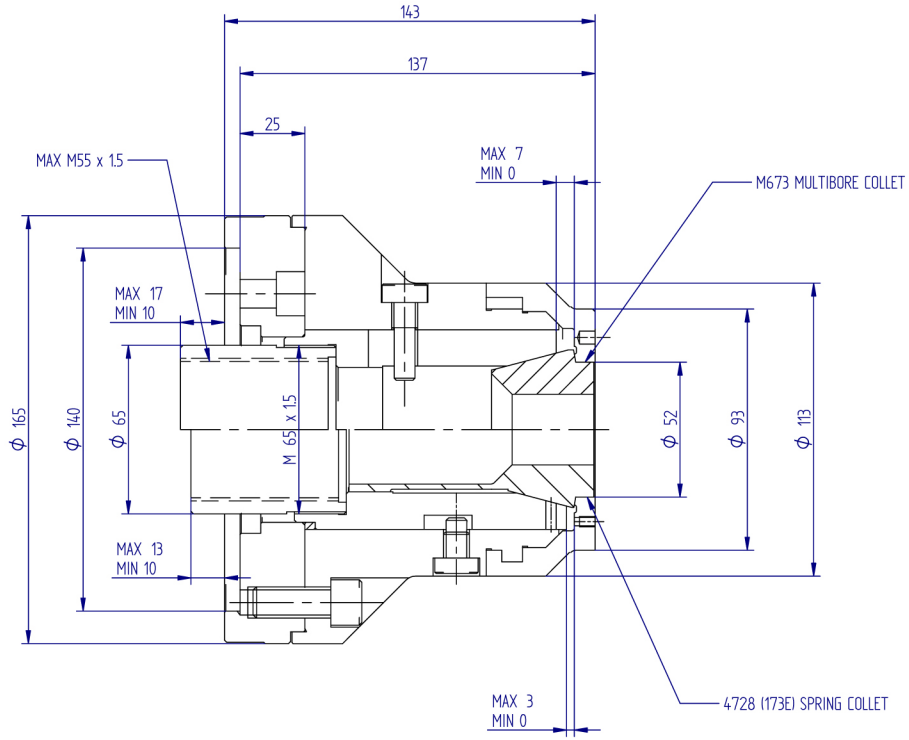
MACHINING TOLERANCES							
RANGE AS SPECIFIED	NOMINAL DIMENSION						
	> 0.5 ... 3	> 3 ... 6	> 6 ... 30	> 30 ... 120	> 120 ... 400	> 400 ... 1000	> 1000 ... 2000
	ALL DIMENSION IN mm						
FINE	±0.05	±0.05	±0.1	±0.15	±0.2	±0.3	±0.5
MEDIUM	±0.1	±0.1	±0.2	±0.3	±0.5	±0.8	±1.2
COARSE	±0.2	±0.3	±0.5	±0.8	±1.2	±2	±3
VERY COARSE	—	±0.5	±1	±1.5	±2	±3	±4

DRAWN	DPB
DATE	07/05/06
SCALE	
CHECK	

TITLE
KITAGAWA QCRL42-110 DIA.
QUICK CHANGE COLLET CHUCK
TO SUIT M673 & 4728 DIN
COLLETS

DRAWING NO.
QCRL42110

ISSUE	DATE



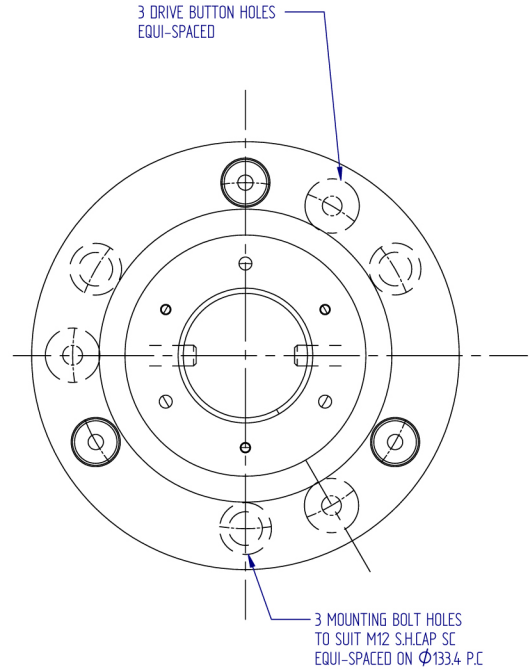
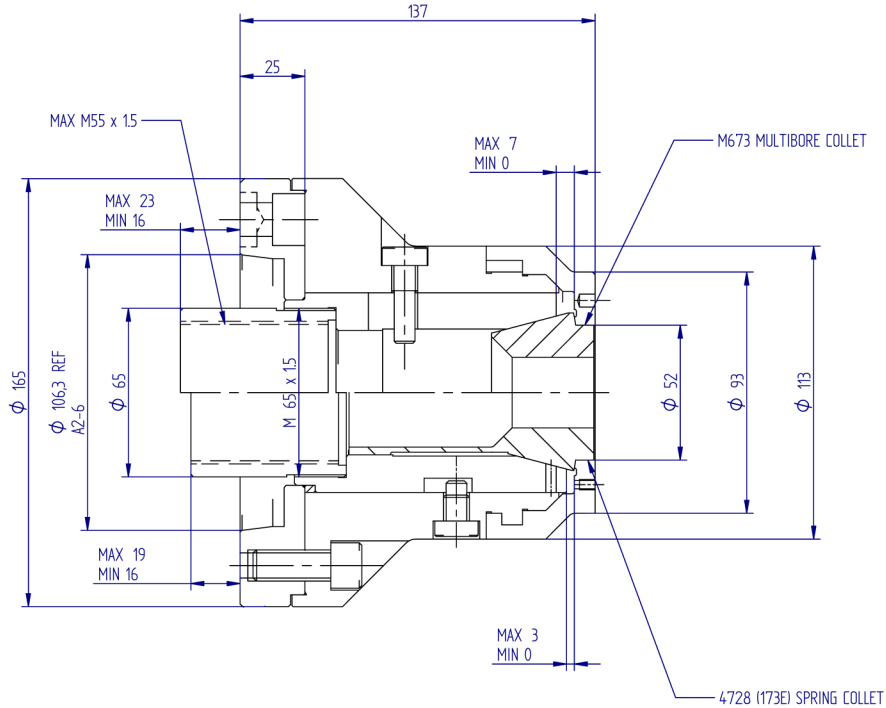
KITAGAWA EUROPE LTD.

RANGE AS SPECIFIED	MACHINING TOLERANCES							
	NOMINAL DIMENSION							
	≤ 0.5 ... 3	> 3 ... 6	> 6 ... 30	> 30 ... 120	> 120 ... 400	> 400 ... 1000	> 1000 ... 2000	
	ALL DIMENSION IN mm							
FINE	0.05	0.05	0.1	0.15	0.2	0.3	0.5	
MEDIUM	0.1	0.1	0.2	0.3	0.5	0.8	1.2	
COARSE	0.2	0.3	0.5	0.8	1.2	2	3	
VERY COARSE		0.5	1	1.5	2	3	4	

DRAWN	DPB
DATE	07/06/04
SCALE	
CHECK	

TITLE
KITAGAWA QCRL42-140 DIA. QUICK CHANGE COLLET CHUCK TO SUIT M673 & 4728 DIN COLLETS
DRAWING NO.
QCRL42-140-DIN

ISSUE	DATE



KITAGAWA EUROPE LTD.

RANGE AS SPECIFIED	MACHINING TOLERANCES							
	NOMINAL DIMENSION							
	≤ 0.5 ... 3	> 3 ... 6	> 6 ... 30	> 30 ... 120	> 120 ... 400	> 400 ... 1000	> 1000 ... 2000	
FINE	0.05	0.05	0.1	0.15	0.2	0.3	0.5	
MEDIUM	0.1	0.1	0.2	0.3	0.5	0.8	1.2	
COARSE	0.2	0.3	0.5	0.8	1.2	2	3	
VERY COARSE		0.5	1	1.5	2	3	4	

DRAWN	DPB
DATE	07/06/04
SCALE	
CHECK	

TITLE
 KITAGAWA QCRL42-A6 DIA.
 QUICK CHANGE COLLET CHUCK
 TO SUIT M673 & 4728 DIN
 COLLETS

DRAWING NO.
 QCRL42-A6-DIN